

### Coupling fitting

position	DN	DN
AC 5030	12	12
AC 5031	16	16
AC 5032	20	20
AC 5033	25	25
AC 5034	32	32
AC 5035	40	40



### Coupling fitting stainless steel / copper

position	DN	Cu
071 0046	16	15
071 0047*	16	22 / 18
071 0048*	20	22 / 18
071 0049*	25	22 / 18

supplied with reducing bush 22/18



### Straight male fitting stainless steel / cylindrical pipe

position	DN	Cu
071 0091	16	18
071 0056	16	22
071 0092	20	18
071 0093	20	22
071 0094	25	18
071 0095	25	22



### Elbow fitting female

position	DN	Cu
071 0078	16 x 3/4" F	



### T-piece Cu / stainless steel / Cu

position	Cu	DN	Cu
071 0080	22 x	DN 16 x	22



### Straight male fitting

position	DN	Cu
071 0102	12	1/2"
071 0082	12	3/4"
071 0036	16	1/2"
071 0037	16	3/4"
071 0038	16	1"
071 0039	20	3/4"
071 0040	20	1"
071 0041	25	1"
071 0042	25	1 1/4"
071 0083	32	1 1/4"
071 0084	40	1 1/2"
071 0085	40	2"



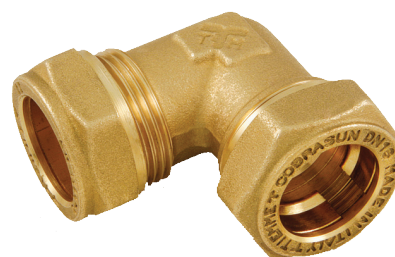
### Straight female fitting

position	DN	Cu
071 0103	12	1/2"
071 0087	12	3/4"
071 0050	16	1/2"
071 0051	16	3/4"
071 0052	16	1"
071 0053	20	3/4"
071 0054	20	1"
071 0055	25	1"
071 0088	32	1 1/4"
071 0089	40	1 1/2"
071 0090	40	2"



### Elbow double stainless steel/copper

position	DN
071 0079	16 x 22

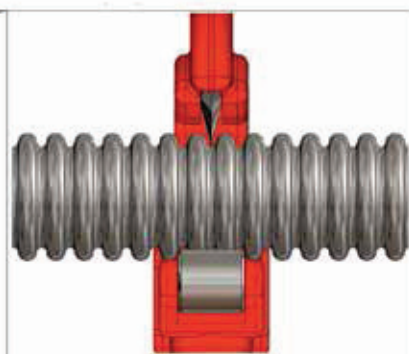
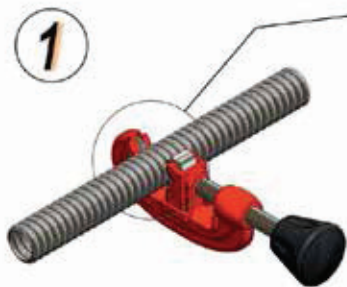


note:

Our system does not need additional sealing rings, sealing tape or other sealing material. The system is clicked on the stainless steel corrugated pipes with parallel waves.

# INSTRUKCE PRO JEDNODUCHÝ SPOJOVACÍ SYSTÉM

## FOR PRE-INSULATED STAINLESS STEEL CORRUGATED PIPELINES **AEROSOLAR**<sup>®</sup>



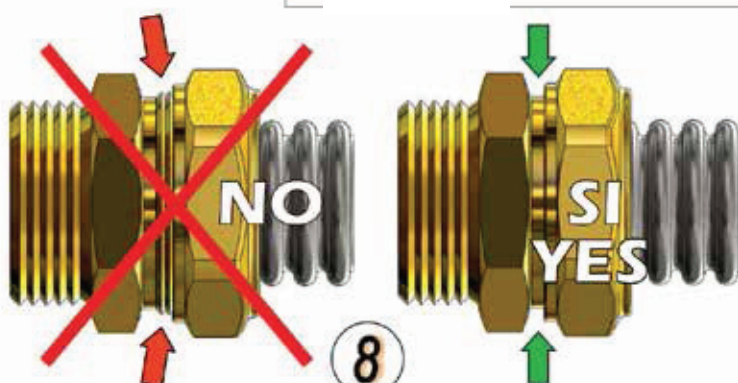
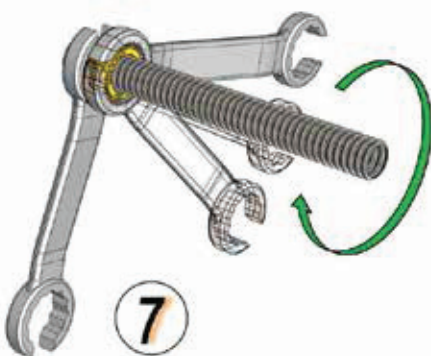
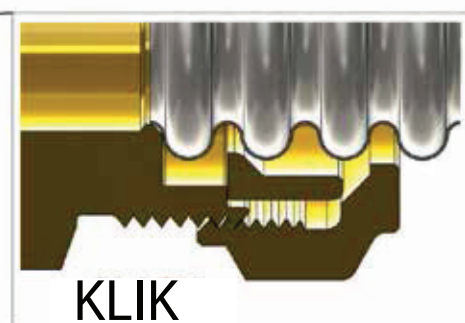
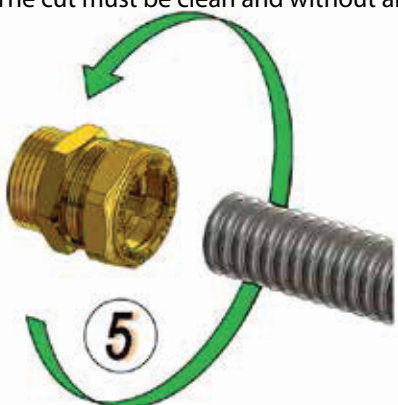
The cut must be clean and without burrs.

Do not disassemble the fitting: should this accidentally occur, the foot of the inner ring must be rested on the fitting body



The cut must be clean and without any spikes.

Push the pipe into the fitting until the "CLACK" sounds



Manually loosen the bolt by approximately 1/2 rev, unless is not already loose

This new plug system for stainless steel corrugated pipe is designed for connection without seals, thereby saving time and costs of tooling and periodic maintenance effort and expense.

Resistance to high temperatures (500 ° C) and long life of the system are independently verified.

Clamping rings were designed symmetrically; may nakliknout both directions, to avoid possible errors.

The system itself can be reused, it is only necessary to use a new clamping rings.

**The warranty does not apply to invalid or incorrect use and / or poor installation. We reserve the right to change / adapt / anytime to change some features of our mounting system.**

**AEROFLEX - SK, s. r. o.**, Galvaniho 10, 821 04 Bratislava, Slovak republic /stock-office-area of BSD/  
 GSM: +421 905 713 656, tel.: +421 2 444 55 768, fax: +421 2 444 61 689  
 www.aeroflex.info e-mail: aeroflex.ba@aeroflex.sk

**AEROFLEX**

# ACCESSORIES

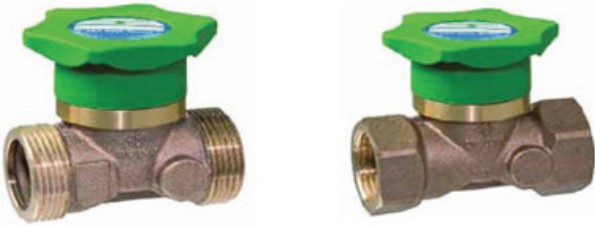
FOR PRE-INSULATED STAINLESS STEEL CORRUGATED PIPELINES **AEROSOLAR**<sup>®</sup>

**Many valves - water treatment, solar heating systems and use  
Brackets for attaching piping CONSTRUCTION**

A dimension DN16 DN 20

1 set = 4 pieces

includes 4 screws, 4 fasteners, 4 sleeve



## SHUT OFF VALVE

Valve body made of bronze  
internal

Dimensions: DN 15 - DN 25



## PISTON-return valve

Valve body made of bronze and stainless steel  
with internal and external thread  
with drain and no drain plug and control

Dimensions: DN 15 - DN 50



## PISTON VALVE

Valve body made of bronze, brass, stainless steel  
with internal and external thread  
with drain and without draining

Dimensions: DN 15 - DN 50



## SYSTEM piston valves

Valve body made of bronze and Communications  
pressing

Systems: Sanha, Viega, Geberit, Frankische alpex

Dimensions: DN 15 - DN 50



**AEROFLEX - SK, s. r. o.** , Galvaniho 10, 821 04 Bratislava, Slovak republic /stock-office-area of BSD/  
GSM: +421 905 713 656, tel.: +421 2 444 55 768, fax: +421 2 444 61 689

www.aeroflex.info e-mail: aeroflex.ba@aeroflex.sk

**AEROFLEX**